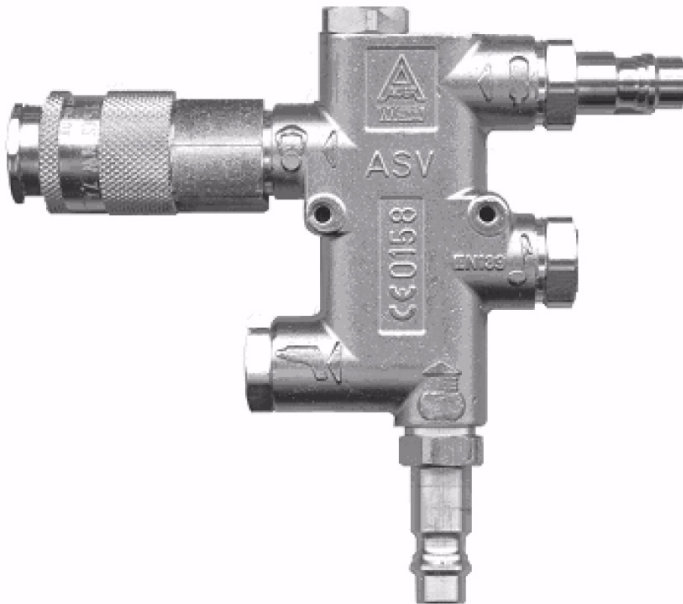


Operating Manual

Automatic Switch Valve ASV

- Ⓒ(GB) **Automatic Switch Valve ASV
without warning device**
- Ⓒ(DE) **Automatisches Schaltventil ASV
ohne Warneinrichtung**



GB

3 - 18

DE

19 - 35

MSA AUER GmbH
Thiemannstrasse 1
D-12059 Berlin

Germany

© MSA AUER GmbH. All rights reserved

Contents

1	Safety Regulations	4
1.1	Correct Use	4
1.2	Liability Information	4
1.3	Safety and Precautionary Measures	4
2	Description	5
2.1	Function	6
3	Use	6
3.1	Preparations for Use	6
3.2	Handling the Line Coupling	6
3.3	Device with Compressed Air Feeding and SCBA	7
4	Maintenance and Cleaning	10
4.1	Cleaning	10
4.2	Storage	10
4.3	Functional and Tightness test	11
4.4	Disassembly	12
4.5	Assembly	15
5	Technical Data	17
5.1	Materials	17
6	Ordering Information	18

1 Safety Regulations

1.1 Correct Use

The ASV without warning device, hereafter referred to as device, automatically switches over breathable air supply from compressed air feeding line to SCBA or from SCBA to compressed air feeding line, depending on pressure differences between the compressed air feeding line pressures and the SCBA.

It is imperative that this operating manual be read and observed when using the product. In particular, the safety instructions, as well as the information for the use and operation of the product, must be carefully read and observed. Furthermore, the national regulations applicable in the user's country must be taken into account for a safe use.



Danger!

This product is supporting life and health. Inappropriate use, maintenance or servicing may affect the function of the device and thereby seriously compromise the user's life.

Before use the product operability must be verified. The product must not be used if the function test is unsuccessful, it is damaged, a competent servicing/maintenance has not been made, genuine MSA spare parts have not been used.

Alternative use, or use outside this specification will be considered as non-compliance. This also applies especially to unauthorised alterations to the product and to commissioning work that has not been carried out by MSA or authorised persons.

1.2 Liability Information

MSA accepts no liability in cases where the product has been used inappropriately or not as intended. The selection and use of the product are the exclusive responsibility of the individual operator.

Product liability claims, warranties also as guarantees made by MSA with respect to the product are voided, if it is not used, serviced or maintained in accordance with the instructions in this manual.

1.3 Safety and Precautionary Measures

The device described in this manual is in accordance with the currently valid test and approval directives 89/686/EEC. The unit of the DSL series described in this instruction manual has been tested and approved with a protective suit in accordance with the directive EN 943-2:2002.

**Attention!**

The ASV without warning device is to be worn only with a chemical protective suit with a pass thru during decontamination.

2 Description

The device consists of a nickel chromium plated brass housing and a mounting support made of stainless steel. It has the following connections:

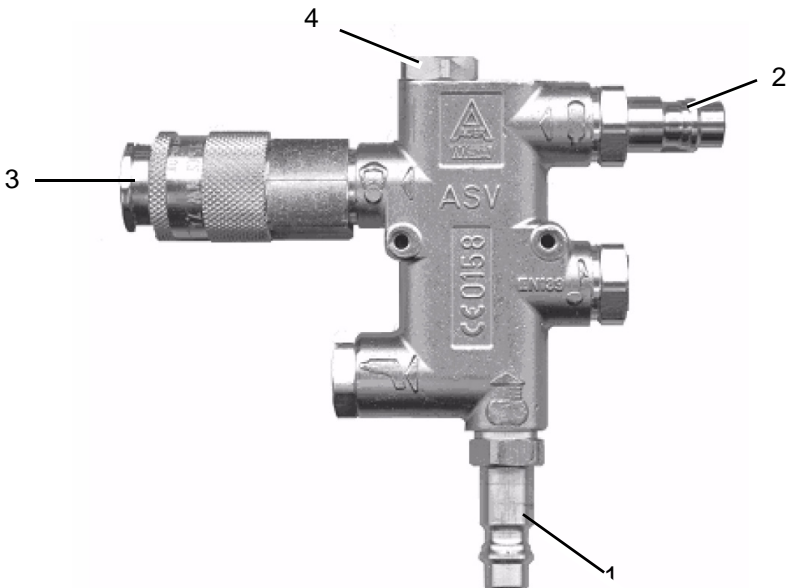


Fig. 1 Overview

- | | | | |
|---|--|---|-----------------------------|
| 1 | External Air supply hose
(long plug nipple) | 3 | Lung governed demand valve |
| 2 | SCBA (short plug nipple) | 4 | Locking Screw Setback valve |

2.1 Function

The device automatically switches over breathable air supply from compressed air feeding line to SCBA or from SCBA to compressed air feeding line, depending on pressure differences between the compressed air feeding line pressures and the SCBA.

In case of using the compressed air feeding line with a pressure reducer together with compressed air cylinders, there is an acoustic retreat warning. The warning device at the pressure reducer of the compressed air line breathing apparatus activates at the latest by a cylinder pressure of 30 bar and emitting an audible signal.

While using an external compressed air feeding line breathing apparatus, the user is supplied with breathable air from i.e. a SCBA, a compressed air cylinder (e.g. 50 l permanent cylinder), via a compressed air line breathing apparatus (DSG) pressure reducer or from a compressed air feeder.

The SCBA, the Lung Governed Demand Valve (LGDV) and the supply hose of the external air supply from the pass thru of the chemical suit are connected to the device.

3 Use

3.1 Preparations for Use

It is assumed that the device is ready to be put into service having undergone all checks according to chapter 4.

3.2 Handling the Line Coupling

To connect:

- Push plug nipple into coupling until coupling sleeve engages.

To disconnect:

- Push plug nipple into coupling and at the same time pull back coupling sleeve. Then plug nipple can be pulled out.



Attention!

When disconnecting the compressed air feeding line ends while they are under pressure the plug nipple side must be held firmly. The escaping air could otherwise cause the line to be propelled in an uncontrolled way (especially long lines).

3.3 Device with Compressed Air Feeding and SCBA

Condensed Check of SCBA with device

This check can only be performed with LGDV according to EN 14593-1:2005 / EN 137 (see operating manual for LGDV).

Check of the Warning Device of the SCBA

- Check the Warning Device of the SCBA (→ operating manual for SCBA).

Tightness Test of SCBA with Device

The tightness test of the device in combination with the SCBA must be performed according to chapter 4.

Donning the SCBA

For donning the SCBA → operating manual for SCBA.

Donning the Device

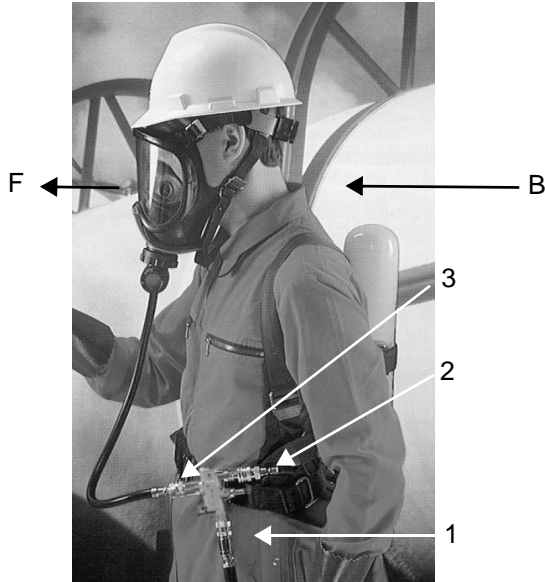


Fig. 2 Donning

<i>F</i>	<i>Front</i>	<i>B</i>	<i>Back</i>
<i>1</i>	<i>Compressed air line breathing apparatus (long plug nipple)</i>	<i>3</i>	<i>Lung governed demand valve (lock coupling)</i>
<i>2</i>	<i>SCBA (short plug nipple)</i>		

The device is fastened to a waist belt or to the harness of the SCBA (→ Fig. 2). The device can be worn at the right or left side of the body. When worn on the left side, the mounting support of the device must be adjusted so that the connection for the SCBA points backwards, the connection of the LGDV points forward, and the connection for the SCBA points straight down.

- (1) Connect safety coupling of the SCBA to the short plug nipple (→ Fig. 1).
- (2) Connect plug nipple of LGDV to the lock coupling (→ Fig. 1).

Donning the Chemical Protective Suit

For donning the chemical protection suit see operating manual for the chemical protective suit.

- Connect compressed air line from the pass thru of the inside of the protective suit to the long plug nipple.

Use of Device During Decontamination

When there is a sound of the whistle of the SCBA the external air supply may be connected to the nipple on the outside of the suit (remove protection of the nipple).

After Use

Depending on the kind of application, the breathable air during decontamination is supplied either by the internal SCBA or by an external compressed air feeding line.

- (1) Remove chemical protective suit (see operating manual for chemical protective suit).
- (2) Disconnect the compressed air feeding line from the long plug nipple of the device from the pass thru on the inside of the protective suit (→ Fig. 2).
- (3) Disconnect the LGDV of the facepiece (see operating manual for LGDV)
- (4) Disconnect plug nipple of LGDV from lock coupling (→ Fig. 1).
- (5) Remove facepiece (see operating manual for full face mask).
- (6) Disconnect safety coupling of the SCBA from the short plug nipple (→ Fig. 1).
- (7) Remove SCBA (see operating manual for SCBA)
- (8) Remove the device.

4 Maintenance and Cleaning

The following table lists the intervals for service, maintenance, and tests. If necessary, the work must be performed at intervals that differ from those in the table according to national regulations. For checks prior to use see chapter 3. The tests with full face mask and LGDV are performed on the complete apparatus (minimum cylinder pressure: 120 bar).

Component	Work to be performed ¹⁾	Minimal Maintenance Intervals				
		to release use	Before use	After use	Annually	Every 6 years ¹⁾
Apparatus	Condensed check of apparatus		X			
ASV complete	Cleaning of complete apparatus					
ASV complete	Functional and leak test	X		X		
ASV complete	Check of the switching points	X				
ASV complete	Overhaul					X

4.1 Cleaning

Thoroughly clean dirty components of the SCBA and the device after use; if necessary with lukewarm water. To do this, seal connection nipple resp. let all compressed air lines connected, and clean device under pressure. Remove residual moisture by drying at max. 60 °C.



Warning!

Do not use any organic cleaning material for the cleaning of the individual components, such as nitro thinners, alcohol, white spirit, petrol etc.

4.2 Storage

Store in a dry place, free from dust and dirt, at approx. 20 °C. Protect device against direct sunlight.

4.3 Functional and Tightness test

Tightness Test

Perform condensed check as follows:

- (1) Connect LGDV to lock coupling (→ Fig. 1), in case of overpressure switch LGDV to position *Standby*, not *Overpressure*.
- (2) Connect SCBA to short plug nipple (→ Fig. 1).
- (3) Open cylinder valve(s) with approx. 2 turns of hand-wheel.
- (4) Read pressure gauge:
 - ▷ Minimum pressure 270 bar at 300 bar cylinders
 - ▷ Minimum pressure 180 bar at 200 bar cylinders
- (5) Close cylinder valve(s).
- (6) The apparatus is tight if the pressure drop after 1 min does not exceed 10 bar.

Testing the Switching Points

Compressed Air Feeding Line with Pressure Reducer DSG

- (1) Check sealing areas of cylinder valve and gasket of pressure reducer for defects.
- (2) Connect pressure reducer DSG to compressed air cylinder valve containing breathable air according to DIN EN 12021.
- (3) Connect compressed air line (min. 5m length) to pressure reducer DSG/SCBA and to device (long plug nipple).
- (4) Connect a second SCBA to device (short plug nipple).
- (5) Connect LGDV to device (lock coupling).
- (6) Open cylinder valve (compressed air feeding line) DSG/SCBA.
 - ▷ Depending on the cylinder type, the cylinder pressure must be min. 270 bar for 300 bar cylinders resp. 180 bar for 200 bar cylinders.
- (7) Open cylinder valve of the second SCBA.
 - ▷ The cylinder pressure must be min. 270 bar for 300 bar cylinders resp. 180 bar for 200 bar cylinders.
- (8) Close the cylinder valve of the compressed air feeder DSG/SCBA.
- (9) Operate flushing button of the LGDV slowly and watch the medium pressure gauge.
 - ▷ The indicator should drop slowly, and the device should switch over at 4 bar at the latest.

- ▷ If the ASV switches over below 4 bar, it must be checked, and perhaps the O-rings must be replaced, see chapter 4.4 or at least lubricated, see chapter 4.5.

Compressed Air Feeding from Compressed Air Net with Compressed Air Filter Housing and Connections for Compressed Air Filter Housing with Gauge and Coupling

(→ also operating manual for Compressed Air Filter.)

- (1) Connect compressed air line (min. 5m length) to filter housing with gauge and coupling and to device (long plug nipple, → Fig.1).
- (2) Connect SCBA to device (short plug nipple, → Fig.1).
- (3) Connect LGDV to device (lock coupling, → Fig.1).
- (4) Open shut nozzle of the compressed air net. The initial pressure must be 6 bar, max. 8.5 bar (→ operating manual for SCBA).
- (5) Open cylinder valve(s) of the SCBA.
 - ▷ The cylinder pressure must be min. 270 bar for 300 bar cylinders and 180 bar for 200 bar cylinders.
- (6) Close shut nozzle of the compressed air net.
- (7) Operate flushing button of the LGDV and watch the medium pressure gauge of the compressed air filter housing.
 - ▷ The indicator should drop slowly, and the device should switch over at 4 bar at the latest.

4.4 Disassembly

Tools required:

- Open end wrench AF 17
- Open end wrench AF 19
- Valve cap with integrated tools (motor-vehicle accessories)
- Box clamp
- Water pump clamp with plastic jaws
- Key

Before disassembly, all pressure lines have to be disconnected (housing without pressure). The work place has to be dry and dirt-free.

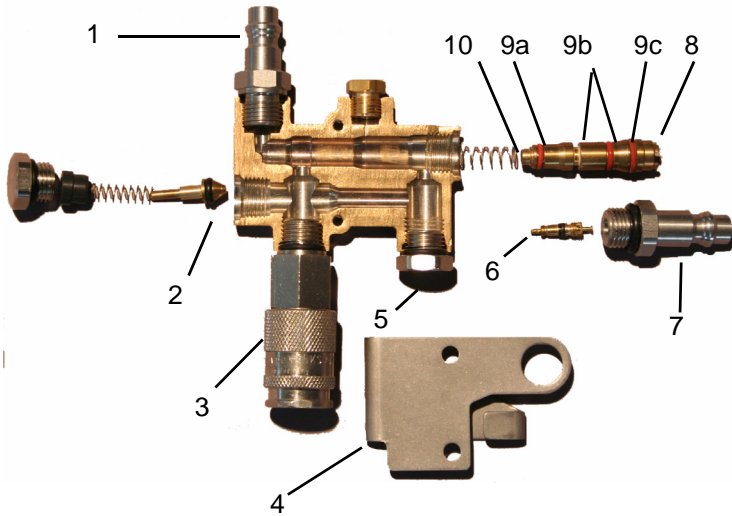


Fig. 3 Device disassembled

1	SCBA (short plug nipple)	8	Piston
2	Reverse valve	9	Silicon O-Rings:
3	Lung governed demand valve (lock coupling)	9a	5x1,75
4	Carrying plate	9b	6,07x1,78
5	Locking Screw	9c	8x1,6
6	Valve Insert	10	Piston spring
7	Compressed Air Feeding Line (long plug nipple)		

Piston Components

- (1) Unscrew the long nipple for the compressed air feeding line.
- (2) By knocking the housing on a suitable underground (e.g. wooden table plate), softly make piston glide out of the cylinder bore, resp. carefully pull it out of the housing with a suitable clamp (e.g. round-nose pliers).

Piston Spring

- (1) Disassemble the spring from the groove by gently turning and drawing at the same time.

**Attention!**

Do not deform spring!

- (2) Check condition of spring (e.g. straightness, completeness of spring), replace if necessary.

Valve Insert

- (1) Unscrew valve insert with suitable tool (e.g. valve cap with integrated tool).
- (2) Check sealings of the valve insert for flawless condition, replace if necessary valve insert.

O-Rings

- (1) Check O-rings for flawless condition, replace if necessary.

Reverse Valve

- (1) Unscrew locking screw.
- (2) By carefully knocking the housing on a suitable underground (e.g. wooden table plate), remove components.
- (3) Check spring and valve O-ring for flawless condition, replace if necessary.

4.5 Assembly

Tools required:

- Open end wrench AF 17
- Open end wrench AF 19
- Valve cap with integrated tools (motor-vehicle accessories)
- Box clamp
- Water pump clamp with plastic jaws
- Key

Accessories required:

- Barrierta 1 EL (repair set)
- Screw-locking adhesive low-compact (e.g. Loctite 222)

Before assembly, all components and the housing must be cleaned.

Valve Insert

- Screw valve insert into piston with suitable tool (e.g. valve cap with integrated tool).
 - ▷ **Torque: 0.25 - 0.30 Nm**

O-Rings

- Install O-rings on piston, according to size, starting with the smallest diameter.

Piston Spring

- Engage piston spring in the groove provided on the piston.
 - ▷ Spring must be fixed straight on the piston.

Lubrication

- Lubricate the O-rings of the piston with Barrierta 1 EL.



Warning!

Do not use any lubricants which solve or swell Silicon.

The signal bore of the piston must not be choked by lubricant.

Assembly of Piston Components in the Housing

- (1) Carefully insert piston into the housing.
- (2) Check piston for easy motion: with a suitable tool (e.g. screw driver) gently push piston into housing until it strikes.
 - ▷ After release, the spring must push back the piston to starting position.
- (3) Check the O-ring of the long nipple for the compressed air line. Replace if necessary.
- (4) Tighten long nipple for the compressed air line with a torque of 12 Nm.

Reverse Valve

- (1) Insert reverse valve with O-ring in the housing.
- (2) Assemble spring and valve guide on valve shaft. Check for straight assembly.
- (3) Check O-ring of the locking screw. Replace if necessary.
- (4) Tighten locking screw with a torque of 12 Nm.

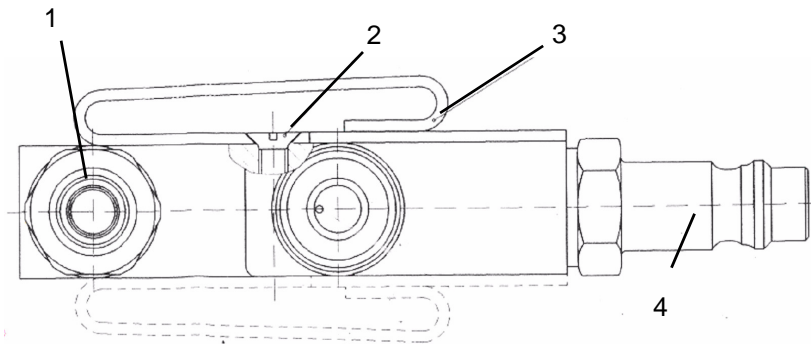


Fig. 4 Overview

1	SCBA (short plug nipple)	3	Carrying plate
2	Screw carrying plate	4	SCBA feeding line (long plug nipple)

When the components have been assembled, the switching points (→ chapter 4.3) must be tested. If the switching points measured do not match the values required, testing must be repeated after having switched the piston several times (inlet).

5 Technical Data

(see also Operating Manual for MSA SCBA)

Medium pressure of SCBA: (→ also Operating Manual for MSA SCBA)	approx. 7bar
Operation pressure of the compressed air feeding line (Medium pressure):	max.: 8.5 bar min.: 6.0 bar
Switching point from compressed air feeding line to SCBA: Compressed air feeding line pressure	4.5 + 1.0 bar
Switching point from compressed breathing apparatus to compressed air feeding line: Compressed air feeding line pressure	6.0 ± 0.5 bar
Dimensions (over all)	
Length (mm):	139
Width (mm):	18
Height (mm):	112
Connections	
SCBA	Plug nipple short
Compressed air breathing line apparatus	Plug nipple long
Lung governed demand valve	Locking coupling
Tool	equipped with locking screw G1/4"

5.1 Materials

Valve housing	Brass, nickel chrome plated
Connections	Stainless steel, Brass, nickel plated
Fittings	Stainless steel, Brass, nickel plated

6 Ordering Information

Description	Part No.
External Compressed Air Supply	
ASV without warning device	10055365
Spare parts for ASV without warning device	
Waist belt	D3043918
Plug nipple short	D4066838
Plug nipple long	D4066111
Lock coupling	D4066092
Locking screw	D4066221
Piston w/o bore	10055363
Accessories	
Air supply line antistatic, 5 m	D4066847
Air supply line antistatic, 10 m	D4066848
Air supply line antistatic, 20 m	D4066849
Air supply line antistatic, 50 m	10012120
Diaphragm compressor V-Meko 400	D4066843
Diaphragm compressor R-Meko 720	10014875
Pressure reducer	D4066830
Compressed air filter housing	D3043986
Adapters for compressed air filter housing with pressure gauge and coupling	D3043994
Manual Compressed Air Line Breathing Apparatus	D4066091
Manual Compressed Air Filter	D3043170

Inhaltsverzeichnis

1	Sicherheitsvorschriften	20
1.1	Bestimmungsgemäße Verwendung	20
1.2	Haftung	20
1.3	Sicherheits- und Vorsichtsmaßnahmen	21
2	Beschreibung	21
2.1	Funktion	22
3	Gebrauch	22
3.1	Vorbereitung zum Gebrauch	22
3.2	Handhabung der Schlauchkupplung	22
3.3	Gerät mit Druckluftzuführung und Pressluftatmer	23
4	Wartung und Reinigung	26
4.1	Reinigung	26
4.2	Lagerung	27
4.3	Funktions- und Dichtheitsprüfung	27
4.4	Demontage	29
4.5	Montage	32
5	Technische Daten	34
5.1	Materialien	34
6	Bestellangaben	35

1 Sicherheitsvorschriften

1.1 Bestimmungsgemäße Verwendung

Das Automatische Schaltventil ASV ohne Warneinrichtung – im weiteren Dokument als Gerät bezeichnet – schaltet abhängig vom Unterschied zwischen dem Druck des Druckluft-Zuführungsschlauches und demjenigen des Pressluftatmers automatisch die Atemluftversorgung vom Druckluft-Zuführungsschlauch auf den Pressluftatmer oder vom Pressluftatmer auf den Druckluft-Zuführungsschlauch um. Diese Gebrauchsanleitung muss vor Benutzung des Produkts gelesen und immer beachtet werden. Insbesondere die darin enthaltenen Sicherheitshinweise sowie die Angaben zu Einsatz und Bedienung des Produkts müssen aufmerksam gelesen und beachtet werden. Zusätzlich sind die im Verwenderland geltenden nationalen Vorschriften zum sicheren Betrieb der Geräte zu berücksichtigen.



Gefahr!

Dieses Produkt ist eine lebensrettende bzw. gesundheitserhaltende Schutzvorrichtung. Eine unsachgemäße Verwendung, Wartung oder Instandhaltung des Gerätes kann die Funktion des Gerätes beeinträchtigen und dadurch Menschenleben ernsthaft gefährden.

Vor dem Einsatz ist die Funktionsfähigkeit des Produktes zu überprüfen. Das Produkt darf nicht eingesetzt werden, wenn der Funktionstest nicht erfolgreich war, Beschädigungen bestehen, eine fachkundige Wartung/Instandhaltung fehlt oder wenn keine Original-Ersatzteile verwendet wurden.

Eine andere oder darüber hinausgehende Benutzung gilt als nicht bestimmungsgemäß. Dies gilt insbesondere auch für eigenmächtige Veränderungen am Produkt und für Instandsetzungsarbeiten, die nicht von MSA bzw. autorisiertem Personal durchgeführt wurden.

1.2 Haftung

In Fällen einer nicht bestimmungsgemäßen bzw. unsachgemäßen Verwendung des Produktes übernimmt MSA hierfür keine Haftung. Die Auswahl und Nutzung des Produktes liegen in der ausschließlichen Verantwortung der handelnden Personen.

Produkthaftungsansprüche und Gewährleistungsansprüche sowie Ansprüche aus etwaigen von MSA für dieses Produkt übernommenen Garantien verfallen, wenn es nicht entsprechend der Gebrauchsanleitung eingesetzt, gewartet oder instand gehalten wird.

1.3 Sicherheits- und Vorsichtsmaßnahmen

Das in dieser Anleitung beschriebene Gerät entspricht den Bestimmungen der zurzeit geltenden Prüf- und Zulassungsrichtlinie 89/686/EWG. Das in diesem Handbuch beschriebene Gerät der Baureihe DSL wurde zusammen mit einem Schutzanzug gemäß Richtlinie EN 943-2:2002 geprüft und zugelassen.



Achtung!

Das Automatische Schaltventil ASV ohne Warneinrichtung darf bei Dekontaminierungsarbeiten nur mit einem Chemikalienschutzanzug mit Durchführung getragen werden.

2 Beschreibung

Das Gerät besteht aus einem Messinggehäuse mit Nickelchromplattierung und einer Halterung aus nicht rostendem Stahl. Es besitzt folgende Anschlüsse:

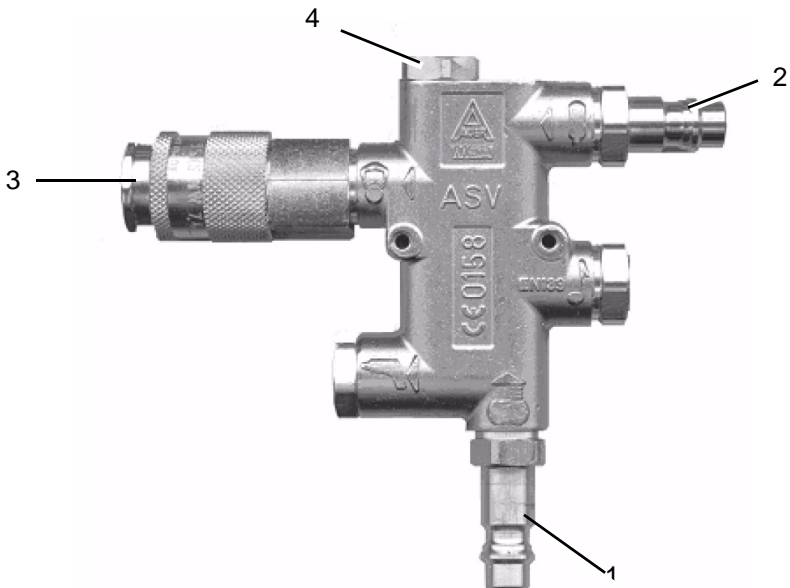


Bild 1 Übersicht

- | | | | |
|---|--|---|-------------------------------------|
| 1 | Externe Versorgungsleitung
(langer Stecknippel) | 3 | Lungenautomat |
| 2 | Pressluftmatr (kurzer Stecknippel) | 4 | Verschlusschraube, Rückschlagventil |

2.1 Funktion

Das Gerät schaltet abhängig vom Unterschied zwischen dem Druck des Druckluft-Zuführungsschlauches und demjenigen des Pressluftatmers automatisch die Atemluftversorgung vom Druckluft-Zuführungsschlauch auf den Pressluftatmer oder vom Pressluftatmer auf den Druckluft-Zuführungsschlauch um.

Wenn der Druckluft-Zuführungsschlauch mit Druckminderer zusammen mit Druckluftflaschen verwendet wird, ertönt eine akustische Rückzugswarnung. Die Warnvorrichtung am Druckminderer des Druckluft-Schlauchgerätes wird spätestens durch einen Flaschendruck von 30 bar aktiviert und gibt ein akustisches Signal wieder.

Wenn Sie einen Pressluftatmer mit externer Versorgungsleitung verwenden, kann der Benutzer beispielsweise von einem Pressluftatmer oder einem Druckluftzylinder (z. B. einer 50-l-Druckluftflasche) über einen Druckminderer (DSG) für Druckluft-Schlauchgeräte oder über eine Versorgungsleitung versorgt werden.

Der Pressluftatmer, der Lungenautomat und die Versorgungsleitung der externen Luftzufuhr von der Durchführung des Chemikalienschutzanzuges werden an das Gerät angeschlossen.

3 Gebrauch

3.1 Vorbereitung zum Gebrauch

Es wird davon ausgegangen, dass das Gerät betriebsbereit ist, nachdem es alle Prüfungen gemäß Kapitel 4 durchlaufen hat.

3.2 Handhabung der Schlauchkupplung

Ankuppeln:

- Schieben Sie den Stecknippel in die Kupplung, bis die Kupplungsmuffe einrastet.

Trennung:

- Schieben Sie den Stecknippel in die Kupplung, und ziehen Sie die Kupplungsmuffe gleichzeitig zurück. Der Stecknippel kann dann herausgezogen werden.



Achtung!

Bei Trennung der Enden des Druckluft-Zuführungsschlauchs, solange sie mit Druck beaufschlagt sind, muss die Stecknippelseite festgehalten werden. Die entweichende Luft könnte sonst dazu führen, dass der Schlauch unkontrolliert herumgeschleudert wird (besonders lange Schläuche).

3.3 Gerät mit Druckluftzuführung und Pressluftatmer

Kurzprüfung des Pressluftatmers mit Gerät

Diese Prüfung kann nur mit einem Lungenautomaten gemäß EN 14593-1:2005/EN 137 durchgeführt werden (siehe Gebrauchsanleitung für den Lungenautomaten).

Prüfung der Warneinrichtung des Pressluftatmers

- Prüfen Sie die Warneinrichtung des Pressluftatmers (→ Gebrauchsanleitung für den Pressluftatmer).

Dichtheitsprüfung des Pressluftatmers mit Gerät

Die Dichtheitsprüfung des Geräts zusammen mit dem Pressluftatmer muss gemäß Kapitel 4 durchgeführt werden.

Anlegen des Pressluftatmers

Zum Anlegen des Pressluftatmers → Gebrauchsanleitung für den Pressluftatmer.

Anlegen des Gerätes

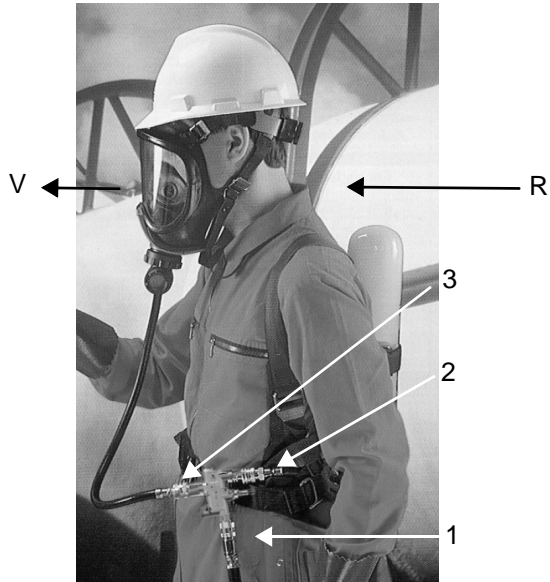


Bild 2 Anlegen

V	Vorderseite	R	Rückseite
1	Druckluft-Schlauchgerät (langer Stecknippel)	3	Lungenautomat (Verschlusskupplung)
2	Pressluftatmer (kurzer Stecknippel)		

Das Gerät wird an einem Leibgurt oder am Pressluftatmergurt befestigt (→ Abb. 2). Das Gerät kann rechts oder links am Körper getragen werden. Wenn es auf der linken Seite getragen wird, muss die Halterung des Gerätes so ausgerichtet werden, dass der Anschluss für den Pressluftatmer nach hinten weist, der Anschluss für den Lungenautomaten nach vorne und der Anschluss für das Druckluft-Schlauchgerät direkt nach unten.

- (1) Sicherheitskupplung des Pressluftatmers an den kurzen Stecknippel anschließen (→ Abb. 1).
- (2) Stecknippel des Lungenautomaten an die Verschlusskupplung anschließen (→ Abb. 1).

Anlegen des Chemikalienschutzanzuges

Zum Anlegen des Chemikalienschutzanzuges siehe Gebrauchsanleitung für den Chemikalienschutzanzug.

- Schließen Sie die Druckluftversorgungsleitung von der Durchführung auf der Innenseite des Schutzanzuges an den langen Stecknippel an.

Verwendung des Gerätes bei Dekontaminierungsarbeiten

Wenn die Pfeife des Pressluftatmers ertönt, ist möglicherweise die externe Luftversorgung an den Nippel außerhalb des Anzuges angeschlossen (nehmen Sie den Schutz vom Nippel ab).

Nach dem Einsatz

Abhängig von der Art der Anwendung wird die Atemluft bei Dekontaminierungsarbeiten entweder durch den internen Pressluftatmer oder durch einen externen Druckluft-Zuführungsschlauch zugeführt.

- (1) Den Chemikalienschutzanzug ablegen (siehe Gebrauchsanleitung für den Chemikalienschutzanzug).
- (2) Den Druckluft-Zuführungsschlauch vom langen Stecknippel des Gerätes und von der Durchführung auf der Innenseite des Schutzanzuges trennen (→ Abb. 2).
- (3) Den Lungenautomaten vom Atemanschluss trennen (siehe Gebrauchsanleitung für den Lungenautomaten).
- (4) Stecknippel des Lungenautomaten von der Verschlusskupplung trennen (→ Abb. 1).
- (5) Atemanschluss abnehmen (siehe Gebrauchsanleitung für die Vollmaske).
- (6) Sicherheitskupplung des Pressluftatmers vom kurzen Stecknippel trennen (→ Abb. 1).
- (7) Pressluftatmer ablegen (siehe Gebrauchsanleitung für Pressluftatmer).
- (8) Das Gerät ablegen.

4 Wartung und Reinigung

In der folgenden Tabelle sind die Intervalle für Pflege, Wartung und Prüfung aufgelistet. Gegebenenfalls müssen die Arbeiten gemäß nationalen Bestimmungen in Intervallen durchgeführt werden, die sich von den Angaben in der Tabelle unterscheiden. Zu Prüfungen vor dem Einsatz siehe Kapitel 3. Die Prüfungen mit Vollmaske und Lungenautomaten erfolgen am kompletten Gerät (Mindestflaschendruck: 120 bar).

Geräteteil	Durchzuführende Arbeit ¹⁾	Minimale Wartungsintervalle				
		zur Freigabe zum Gebrauch	Vor dem Einsatz	Nach dem Einsatz	Jährlich	Alle 6 Jahre ¹⁾
Gerät	Kurzprüfung des Gerätes		X			
ASV vollständig	Reinigung des vollständigen Gerätes					
ASV vollständig	Funktions- und Dichtigkeitsprüfung	X		X		
ASV vollständig	Prüfung der Umschaltpunkte	X				
ASV vollständig	Überholung					X

4.1 Reinigung

Verschmutzte Geräteteile des Pressluftatmers und des Gerätes nach dem Gebrauch sorgfältig reinigen, bei Bedarf mit lauwarmem Wasser. Dazu die Anschlusnippel abdichten oder alle Druckluftversorgungsleitungen angeschlossen lassen und das Gerät unter Druck reinigen. Verbleibende Feuchtigkeit durch Trocknen bei max. 60 °C entfernen.



Warnung!

Zum Reinigen der einzelnen Komponenten keine organischen Reinigungsmittel wie Nitroverdünnung, Alkohol, Spiritus, Benzin usw. verwenden.

4.2 Lagerung

An einem trockenen, staub- und schmutzfreien Ort bei ca. 20°C lagern. Gerät vor direkter Sonneneinstrahlung schützen.

4.3 Funktions- und Dichtheitsprüfung

Dichtheitsprüfung

Kurzprüfung folgendermaßen durchführen:

- (1) Lungenautomaten an Verschlusskupplung anschließen (→ Abb. 1). Bei Überdruck den Lungenautomaten in die *Standbyposition* schalten, nicht in die *Überdruckposition*.
- (2) Pressluftatmer an kurzen Stecknippel anschließen (→ Abb. 1).
- (3) Flaschenventil(e) mit etwa zwei Umdrehungen des Handrads öffnen.
- (4) Manometer ablesen:
 - ▷ Mindestdruck 270 bar bei 300-bar-Flaschen
 - ▷ Mindestdruck 180 bar bei 200-bar-Flaschen
- (5) Flaschenventil(e) schließen.
- (6) Das Gerät ist dicht, wenn der Druckabfall nach 1 Minute 10 bar nicht übersteigt.

Prüfen der Umschaltpunkte

Druckluft-Zuführungsschlauch mit Druckminderer DSG

- (1) Prüfen, ob die Dichtflächen des Flaschenventils und die Dichtung des Druckminderers in einwandfreiem Zustand sind.
- (2) Den Druckminderer DSG an das Ventil der Druckluftflasche anschließen, die Atemluft gemäß DIN EN 12021 enthält.
- (3) Die Druckluftversorgungsleitung (5 m Mindestlänge) an den Druckminderer DSG/PA und an das Gerät anschließen (langer Stecknippel).
- (4) Einen zweiten Pressluftatmer an das Gerät anschließen (kurzer Stecknippel).
- (5) Den Lungenautomaten an das Gerät anschließen (Verschlusskupplung).
- (6) Das Flaschenventil (Druckluft-Zuführungsschlauch) DSG/PA öffnen.
 - ▷ Abhängig vom Flaschentyp muss der Flaschendruck bei 300-bar-Flaschen mindestens 270 bar bzw. bei 200-bar-Flaschen mindestens 180 bar betragen.
- (7) Das Flaschenventil des zweiten Pressluftatmers öffnen.
 - ▷ Der Flaschendruck muss bei 300-bar-Flaschen mindestens 270 bar bzw. bei 200-bar-Flaschen mindestens 180 bar betragen.
- (8) Das Flaschenventil der Versorgungsleitung DSG/PA schließen.
- (9) Den Spülknopf des Lungenautomaten langsam betätigen und dabei das Mitteldruckmanometer beobachten.
 - ▷ Die Anzeige sollte langsam zurückgehen, und das Gerät sollte spätestens bei 4 bar umschalten.
 - ▷ Falls das ASV unter 4 bar umschaltet, muss es geprüft werden. Möglicherweise müssen die O-Ringe ausgetauscht (siehe Kapitel 4.4) oder zumindest geschmiert werden (siehe Kapitel 4.5).

Druckluftversorgung aus Druckluftnetz mit Druckluftfiltergehäuse und Anschlüssen für Druckluftfiltergehäuse mit Manometer und Kupplung

(→ auch Gebrauchsanleitung für Druckluftfilter.)

- (1) Druckluftversorgungsleitung (5 m Mindestlänge) an das Filtergehäuse mit Manometer und Kupplung und an das Gerät anschließen (langer Stecknippel, → Abb.1).
- (2) Pressluftatmer an Gerät anschließen (kurzer Stecknippel, → Abb.1).
- (3) Lungenautomaten an das Gerät anschließen (Verschlusskupplung, → Abb.1).
- (4) Absperrhahn des Druckluftnetzes öffnen. Der Anfangsdruck muss 6 bar, max. 8,5 bar betragen (→ Gebrauchsanleitung für den Pressluftatmer).
- (5) Flaschenventil(e) des Pressluftatmers öffnen.
 - ▷ Der Flaschendruck muss bei 300-bar-Flaschen mindestens 270 bar und bei 200-bar-Flaschen mindestens 180 bar betragen.
- (6) Absperrhahn des Druckluftnetzes schließen.
- (7) Spülknopf des Lungenautomaten betätigen und das Mitteldruckmanometer des Druckluftfiltergehäuses beobachten.
 - ▷ Die Anzeige sollte langsam zurückgehen, und das Gerät sollte spätestens bei 4 bar umschalten.

4.4 Demontage

Erforderliche Werkzeuge:

- Gabelschlüssel, SW 17
- Gabelschlüssel, SW 19
- Ventilkappe mit integrierten Werkzeugen (Kfz-Zubehör)
- Schraubstock
- Wasserpumpenzange mit Kunststoffbacken
- Zapfenschlüssel

Vor der Demontage müssen alle Druckleitungen getrennt werden (Gehäuse drucklos). Der Arbeitsplatz muss trocken und sauber sein.

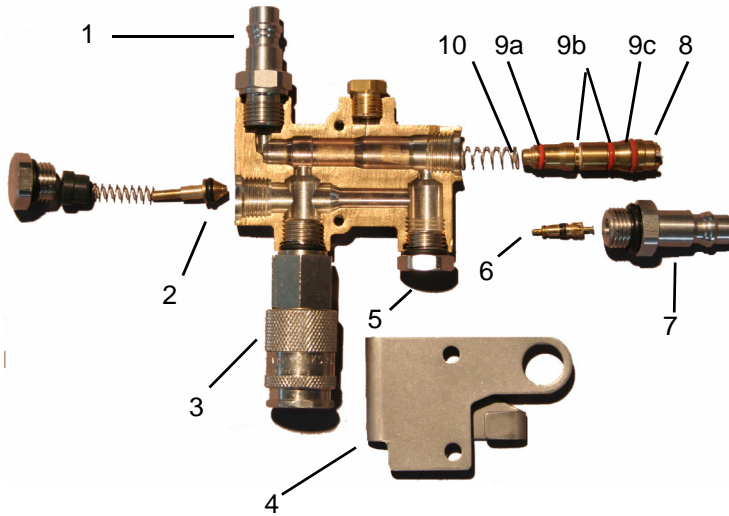


Bild 3 Auseinandergebautes Gerät

1	Pressluftatmer (kurzer Stecknippel)	8	Kolben
2	Rückschlagventil	9	Silikon-O-Ringe:
3	Lungenautomat (Verschlusskupplung)	9a	5 x 1,75
4	Tragplatte	9b	6,07 x 1,78
5	Verschlusschraube	9c	8 x 1,6
6	Ventileinsatz	10	Kolbenfeder
7	Druckluft-Zuführungsschlauch (langer Stecknippel)		

Kolbenkomponenten

- (1) Den langen Nippel für den Druckluft-Zuführungsschlauch herauserschrauben.
- (2) Der Kolben gleitet sanft aus der Zylinderbohrung, wenn Sie mit dem Gehäuse auf einen geeigneten Untergrund (beispielsweise eine Tischplatte aus Holz) klopfen. Sie können den Kolben auch vorsichtig mit einem geeigneten Werkzeug (z. B. einer Rundzange) aus dem Gehäuse ziehen.

Kolbenfeder

- (1) Die Feder aus der Nut nehmen und dazu gleichzeitig vorsichtige Dreh- und Zugbewegungen durchführen.

**Achtung!**

Die Feder darf nicht verformt werden!

- (2) Den Zustand der Feder prüfen (beispielsweise Geradheit, Vollständigkeit der Feder) und sie bei Bedarf austauschen.

Ventileinsatz

- (1) Den Ventileinsatz mit einem geeigneten Werkzeug (z. B. Ventilkappe mit integriertem Werkzeug) herausschrauben.
- (2) Prüfen, ob sich die Dichtungen des Ventileinsatzes in einwandfreiem Zustand befinden. Den Ventileinsatz bei Bedarf austauschen.

O-Ringe

- (1) Prüfen, ob sich die O-Ringe in einwandfreiem Zustand befinden; sie bei Bedarf austauschen.

Rückschlagventil

- (1) Verschlusschraube herausdrehen.
- (2) Komponenten entfernen und dazu mit dem Gehäuse vorsichtig auf einen geeigneten Untergrund (z. B. eine Tischplatte aus Holz) klopfen.
- (3) Prüfen, ob sich die Feder und der Ventil-O-Ring in einwandfreiem Zustand befinden, und sie bei Bedarf austauschen.

4.5 Montage

Erforderliche Werkzeuge:

- Gabelschlüssel, SW 17
- Gabelschlüssel, SW 19
- Ventilkappe mit integrierten Werkzeugen (Kfz-Zubehör)
- Schraubstock
- Wasserpumpenzange mit Kunststoffbacken
- Zapfenschlüssel

Erforderliches Zubehör:

- Barrierta 1 EL (Reparatursatz)
- Niedrigfeste Schraubensicherung (z. B. Loctite 222)

Vor der Montage müssen alle Komponenten und das Gehäuse gereinigt werden.

Ventileinsatz

- Setzen Sie den Ventileinsatz mit einem geeigneten Werkzeug (z. B. Ventilkappe mit integriertem Werkzeug) ein.
 - ▷ **Drehmoment: 0,25-0,30 Nm**

O-Ringe

- Montieren Sie die O-Ringe nach ihrer Größe auf den Kolben. Beginnen Sie mit dem kleinsten Durchmesser.

Kolbenfeder

- Setzen Sie die Kolbenfeder in die im Kolben vorgesehene Nut ein.
 - ▷ Die Feder muss auf dem Kolben gerade sitzen.

Schmierung

- Schmieren Sie die O-Ringe des Kolbens mit Barrierta 1 EL.



Warnung!

Verwenden Sie auf keinen Fall Schmiermittel, durch die Silikon angelöst wird oder aufquillt.

Die Signalbohrung im Kolben darf nicht mit Schmiermittel verstopft werden.

Montage der Kolbenkomponenten im Gehäuse

- (1) Kolben vorsichtig in das Gehäuse einsetzen.
- (2) Prüfen, ob der Kolben leichtgängig ist: mit einem geeigneten Werkzeug (z. B. einem Schraubendreher) den Kolben bis zum Anschlag vorsichtig in das Gehäuse schieben.
 - ▷ Sobald Sie losgelassen haben, muss die Feder den Kolben zur Startposition zurückschieben.
- (3) Den O-Ring des langen Nippels für die Druckluftversorgungsleitung prüfen, bei Bedarf austauschen.
- (4) Den langen Nippel für die Druckluftversorgungsleitung mit einem Drehmoment von 12 Nm festziehen.

Rückschlagventil

- (1) Das Rückschlagventil mit O-Ring in das Gehäuse einsetzen.
- (2) Feder und Ventilführung auf dem Ventilschaft montieren. Prüfen, ob die Baugruppe gerade ausgerichtet ist.
- (3) Den O-Ring der Verschlusschraube prüfen, bei Bedarf austauschen.
- (4) Die Verschlusschraube mit einem Drehmoment von 12 Nm festziehen.

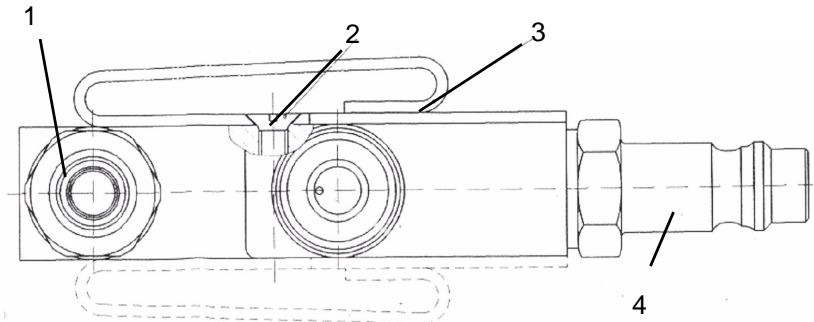


Bild 4 Übersicht

1	Pressluftatmer (kurzer Stecknippel)	3	Tragplatte
2	Schraube Tragplatte	4	Pressluftatmer-Zuführungsschlauch (langer Stecknippel)

Nach Montage der Bauteile sind die Umschaltpunkte (→ Kapitel 4.3) zu überprüfen. Falls die gemessenen Umschaltpunkte nicht mit den erforderlichen Werten übereinstimmen, muss die Prüfung wiederholt werden, nachdem der Kolben mehrere Male geschaltet wurde (Einlass).

5 Technische Daten

(siehe auch Gebrauchsanleitung für MSA Pressluftatmer)

Mitteldruck von Pressluftatmer: (siehe auch Gebrauchsanleitung für MSA Pressluftatmer)	ca. 7 bar
Betriebsdruck Druckluft-Zuführungsschlauch (Mitteldruck):	max.: 8,5 bar min.: 6,0 bar
Umschaltpunkt von Druckluft-Zuführungsschlauch auf Pressluftatmer: Druck im Druckluft-Zuführungsschlauch	4,5 + 1,0 bar
Umschaltpunkt von Pressluftatmer auf Druckluft-Zuführungsschlauch: Druck im Druckluft-Zuführungsschlauch	6,0 ± 0,5 bar
Abmessungen (über alles)	
Länge (mm):	139
Breite (mm):	18
Höhe (mm):	112
Anschlüsse	
Pressluftatmer	Stecknippel kurz
Pressluftatmer mit Versorgungsleitung	Stecknippel lang
Lungenautomat	Verschlusskupplung
Werkzeug	mit Verschlusschraube G1/4" ausgestattet

5.1 Materialien

Ventilgehäuse	Messing, nickelchromplattiert
Anschlüsse	Edelstahl, Messing, nickelplattiert
Beschlagteile	Edelstahl, Messing, nickelplattiert

6 Bestellangaben

Bezeichnung	Artikel-Nr.
Externe Druckluftversorgung	
Automatisches Schaltventil ASV ohne Warneinrichtung	10055365
Ersatzteile für Automatisches Schaltventil ASV ohne Warneinrichtung	
Hüftgurt	D3043918
Stecknippel kurz	D4066838
Stecknippel lang	D4066111
Verschlusskupplung	D4066092
Verschlusschraube	D4066221
Kolben o. Bohrung	10055363
Zubehör	
Luftversorgungsleitung, antistatisch, 5 m	D4066847
Luftversorgungsleitung, antistatisch, 10 m	D4066848
Luftversorgungsleitung, antistatisch, 20 m	D4066849
Luftversorgungsleitung, antistatisch, 50 m	10012120
Membrankompressor V-Meko 400	D4066843
Membrankompressor R-Meko 720	10014875
Druckminderer	D4066830
Druckluftfiltergehäuse	D3043986
Anschlüsse für Druckluftfiltergehäuse mit Manometer und Kupplung	D3043994
Gebrauchsanleitung Druckluft-Schlauchgerät	D4066091
Gebrauchsanleitung Druckluftfilter	D3043170

MSA in Europe

[www.MSAafety.com]

Northern Europe

Netherlands

MSA Nederland

Kernweg 20
1627 LH Hoorn
Phone +31 [229] 25 03 03
Fax +31 [229] 21 13 40
info.nl@MSAafety.com

Belgium

MSA Belgium N.V.

Duwijkstraat 17
2500 Lier
Phone +32 [3] 491 91 50
Fax +32 [3] 491 91 51
info.be@MSAafety.com

Great Britain

MSA (Britain) Limited

Lochard House
Linnet Way
Strathclyde Business Park
BELLSHILL ML4 3RA
Scotland
Phone +44 [16 98] 57 33 57
Fax +44 [16 98] 74 01 41
info.gb@MSAafety.com

Sweden

MSA NORDIC

Kopparbergsgatan 29
214 44 Malmö
Phone +46 [40] 699 07 70
Fax +46 [40] 699 07 77
info.se@MSAafety.com

MSA SORDIN

Rörläggarvägen 8
33153 Värnamo
Phone +46 [370] 69 35 50
Fax +46 [370] 69 35 55
info.se@MSAafety.com

Southern Europe

France

MSA GALLET

Zone Industrielle Sud
01400 Châtillon sur
Chalaronne
Phone +33 [474] 55 01 55
Fax +33 [474] 55 47 99
info.fr@MSAafety.com

Italy

MSA Italiana S.p.A.

Via Po 13/17
20089 Rozzano [MI]
Phone +39 [02] 89 217 1
Fax +39 [02] 82 59 228
info.it@MSAafety.com

Spain

MSA Española, S.A.U.

Narcís Monturiol, 7
Pol. Ind. del Sudoeste
08960 Sant-Just Desvern
[Barcelona]
Phone +34 [93] 372 51 62
Fax +34 [93] 372 66 57
info.es@MSAafety.com

Eastern Europe

Poland

MSA Safety Poland Sp. z o.o.

Ul. Wschodnia 5A
05-090 Raszyn k/Warszawy
Phone +48 [22] 711 50 00
Fax +48 [22] 711 50 19
info.pl@MSAafety.com

Czech republic

MSA Safety Czech s.r.o.

Dolnojircanska 270/22b
142 00 Praha 4 - Kamyk
Phone +420 241440 537
Fax +420 241440 537
info.cz@MSAafety.com

Hungary

MSA Safety Hungaria

Francia út 10
1143 Budapest
Phone +36 [1] 251 34 88
Fax +36 [1] 251 46 51
info.hu@MSAafety.com

Romania

MSA Safety Romania S.R.L.

Str. Virgil Madgearu, Nr. 5
Ap. 2, Sector 1
014135 Bucuresti
Phone +40 [21] 232 62 45
Fax +40 [21] 232 87 23
info.ro@MSAafety.com

Russia

MSA Safety Russia

Походный проезд д.14.
125373 Москва
Phone +7 [495] 921 1370
Fax +7 [495] 921 1368
info.ru@MSAafety.com

Central Europe

Germany

MSA AUER GmbH

Thiemannstrasse 1
12059 Berlin
Phone +49 [30] 68 86 0
Fax +49 [30] 68 86 15 17
info.de@MSAafety.com

Austria

MSA AUER Austria

Vertriebs GmbH
Modectcenterstrasse 22
MGC Office 4, Top 601
1030 Wien
Phone +43 [0] 1 / 796 04 96
Fax +43 [0] 1 / 796 04 96 - 20
info.at@MSAafety.com

Switzerland

MSA Schweiz

Eichweg 6
8154 Oberglatt
Phone +41 [43] 255 89 00
Fax +41 [43] 255 99 90
info.ch@MSAafety.com

European

International Sales

[Africa, Asia, Australia, Latin
America, Middle East]

MSA Europe

Thiemannstrasse 1
12059 Berlin
Phone +49 [30] 68 86 0
Fax +49 [30] 68 86 15 58
info.de@MSAafety.com